



Figure 1: Elstein LCR large curved radiator

Elstein LCR large curved radiators are ceramic infrared panel radiators, which are designed for operating temperatures up to 750 °C. Surface ratings of up to 60 kW/m² can be installed.

LCR radiators are made using a full-pour casting ceramic process and are characterised by their large size and concave design. Due to the latter, there is a space between the radiator and mounting plate, which reduces the heat absorbed by the wiring space.

For some special applications the large size can reduce the mounting and installation work compared to the regular sizes of ceramic infrared radiators.

Elstein LCR large curved radiators are for universal use and are suitable for assembling radiation areas with any geometry required.

The covered power range is 400 W up to 1500 W.

LCR

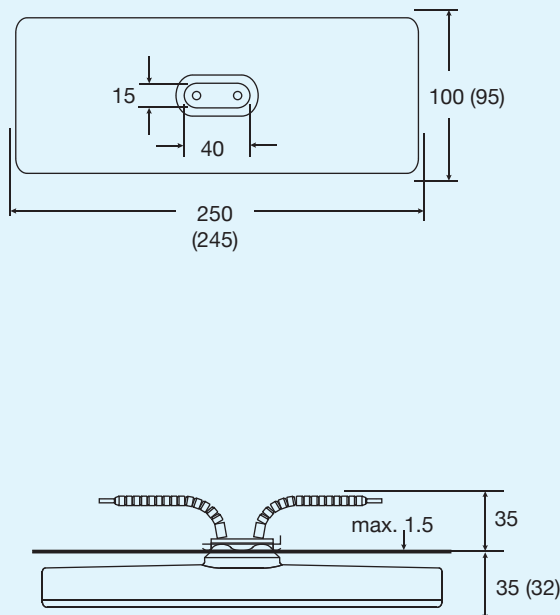
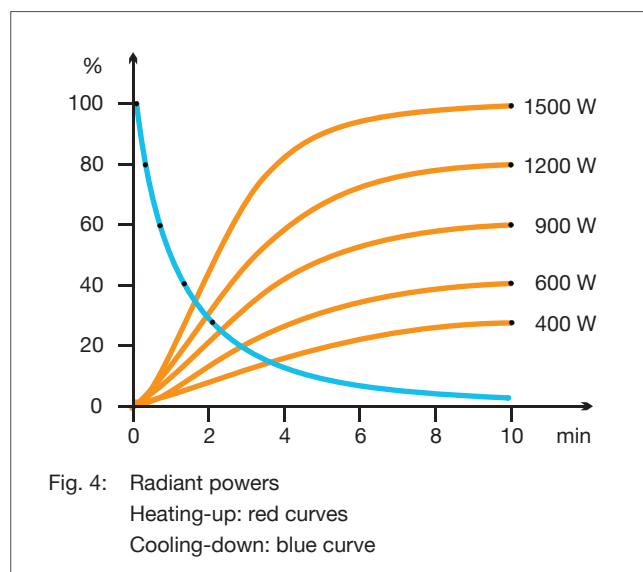
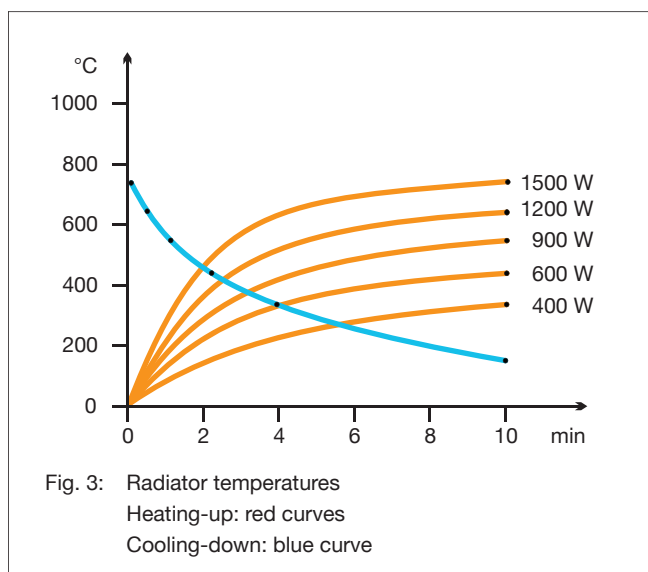


Figure 2: Mounting dimensions and radiator dimensions () in mm



Type, weight, wattage	LCR	350 g	400	600	900	1200	1500	W
Surface rating			16.0	24.0	36.0	48.0	60.0	kW/m ²
Typical operating temperature			400	490	580	660	710	°C
Maximum permissible temperature			750	750	750	750	750	°C
Wavelength range			2 - 10					µm

Standard design Operating voltage 230 V Ceramic full-pour casting Leads 85 mm Elstein standard socket Mounting set	Thermocouple radiators Integrated thermocouple Type K (NiCr-Ni) Designation T-LCR TC leads 100 mm	Variants Special wattages Special voltages Extended leads Live leads with ring terminals
--	--	---

The power can be controlled using thermocouple radiators together with TRD temperature controllers, TSE thyristor switching units and other accessories.

The national safety regulations must be complied with for the respective application, for example, the IEC or EN standard 60519-1, Safety in electrical heating installations.

Further information and safety information are given in the mounting instruction enclosed with each radiator.