

Thermoheat by

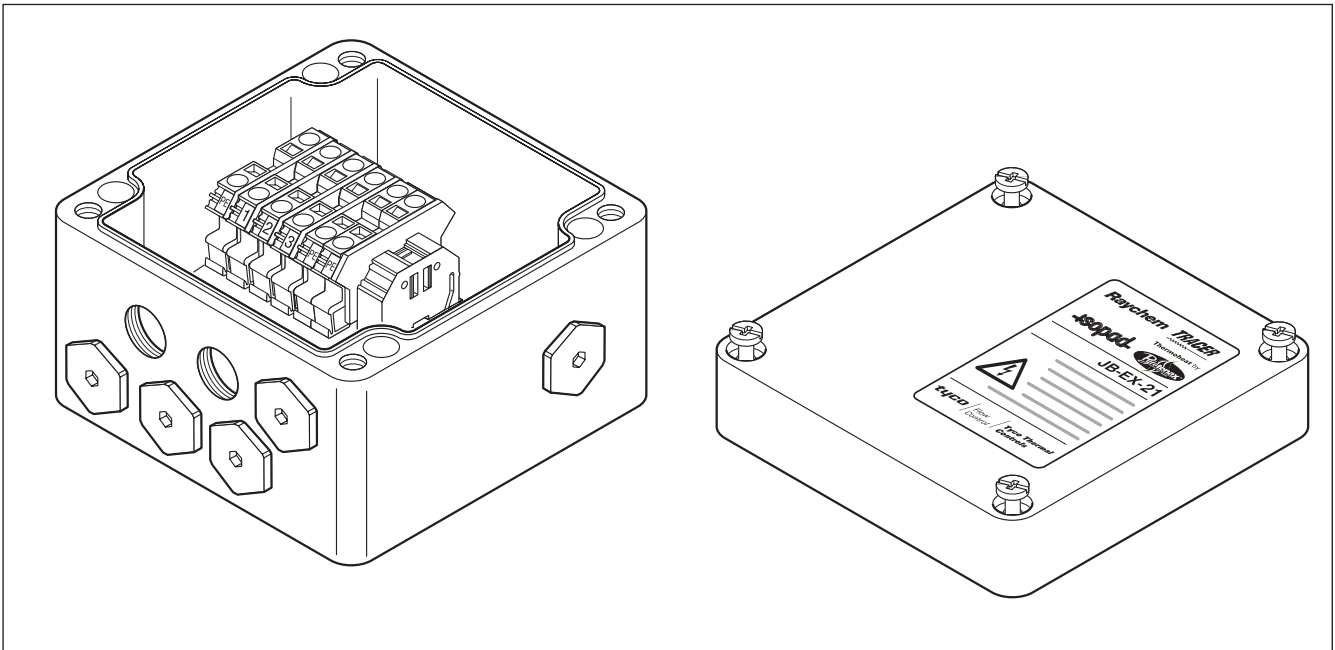


Junction box

ATEX approved polyester junction box for use in hazardous areas. This box can be used to make connections between power cables, heating cables and cold lead cables using M20 connection kits. Depending on the configuration of the

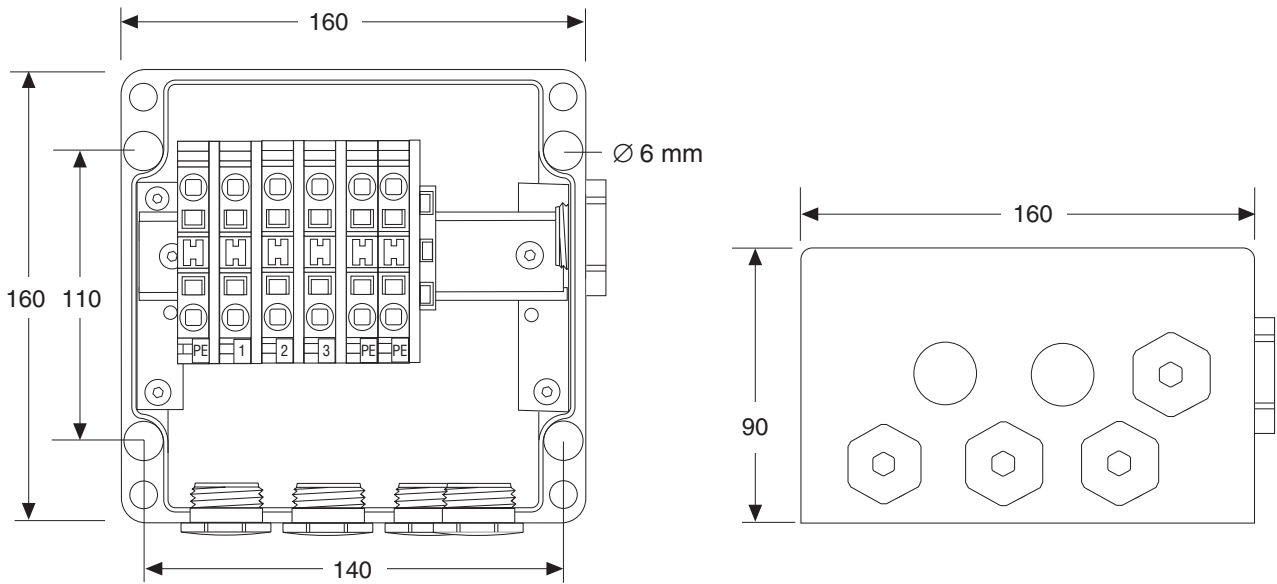
system, the box can accommodate six heating cables / cold leads and a power cable. M20 connection kits have to be ordered separately depending on the type of heating cable being used. Cable connection is accomplished via DIN rail

mounted cage clamp terminals. The box can be either wall or pipe mounted via the four holes molded in the base of the box. For pipe mounting use one of the standard support bracket.



Typical use	Power supply box, end-box, splice box (3-phase and loop), marshalling box.
Entries	6 x M20 1 x M32
Kit contents	1 x junction box with terminals on DIN rail 4 x M20 stopping plugs 2 x M20 rain plug (temporary) 1 x M32 stopping plug 1 x terminal jumper allowing various wiring configurations (remove terminal plate)
Approvals	PTB 00 ATEX 1002 II 2 G/D EEx e II T6 IP 66
Materials of construction	
Box & lid	Glass filled polyester
Sealing gasket	Silicone rubber
Lid fixing screws	Stainless steel (captive)
Ingress protection	IP66
Ambient temperature range	-30 to +70°C

Dimensions in mm



Terminals

Quantity	6 pc.
Type	Cage clamp
Labeling	1, 2, 3, 3 x PE
Maximum conductor size	10 mm ² (solid & stranded)
Maximum operating voltage	AC 550 V
Maximum operating current	53 A

Accessories (to be ordered separately)

Support bracket	SB-100, SB-101								
Gland for PI cold leads	GL-44-M20-KIT hazardous area approved gland for cables Ø 5-13 mm								
Gland for power cable	GL-45-M32 hazardous area approved gland for cables Ø 12-21 mm								
Loose terminals (*)	<table border="0"> <tr> <td>Phase/neutral terminal</td> <td>HWA-WAGO-PHASE</td> </tr> <tr> <td>Earth terminal</td> <td>HWA-WAGO-EARTH</td> </tr> <tr> <td>End plate</td> <td>HWA-WAGO-ENDPLATE</td> </tr> <tr> <td>Terminal jumper</td> <td>HWA-WAGO-JUMPER</td> </tr> </table>	Phase/neutral terminal	HWA-WAGO-PHASE	Earth terminal	HWA-WAGO-EARTH	End plate	HWA-WAGO-ENDPLATE	Terminal jumper	HWA-WAGO-JUMPER
Phase/neutral terminal	HWA-WAGO-PHASE								
Earth terminal	HWA-WAGO-EARTH								
End plate	HWA-WAGO-ENDPLATE								
Terminal jumper	HWA-WAGO-JUMPER								

Ordering details

Order reference	JB-EX-21
Part number (Weight)	1244-000579 (1.2 kg)

(*) in total no more than 10 terminals should be installed