

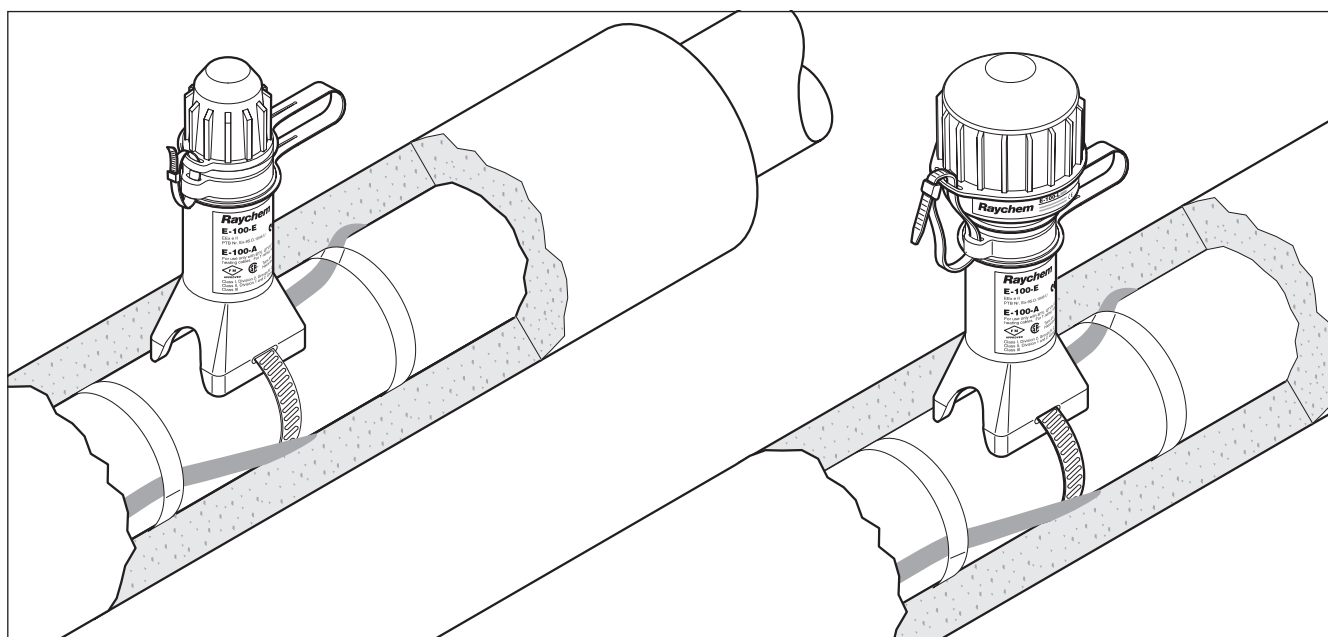
End seal and lighted end seal





Both the E-100-E and E-100-L-E are accessible, re-entrable end seals, the E-100 without a light, the E-100-L with a signal light. Both end seals can be used with all Raychem BTV, QTVR, XTV, KTV or VPL industrial parallel heating cables. They are approved for use in hazardous areas. They are extremely rugged - made of a strong, moulded part with 4 mm wall thickness.

The heating cable is firmly kept in place by the integral strain relief. Sealing is done twice. First a dry compartment for the heating cable is created, then a boot filled with a non-curing sealant (silicone free) is placed over the end of the heating cable inside the compartment. The end seals are mounted on the pipe and project through the cladding.

The light module of the E-100-L-E uses an array of super-bright green LEDs for long life and excellent visibility from almost any angle. The robust industrial-grade electronics are encapsulated to reliably seal out moisture.

Extra sealant filled boots for the E-100-E end seal can be ordered separately.



	E-100-E	E-100-L-E
Kit contents	1 end seal 1 cable tie 1 polywater sachet	1 end seal with indicator light 1 cable tie 1 polywater sachet 2 spare crimps 2 crimps for VPL
Approval data	Hazardous or ordinary (indoors and outdoors)	
Approvals	 II 2 G/D EEx e II IP 66 PTB Nr. 98 ATEX 1101 U  Ex e II T*	 II 2 G/D EEx em II IP 66 PTB Nr. 98 ATEX 1101 U  Ex em II T*

*For T-rating, see heating cable or design documentation

	E-100-E	E-100-L-E
Raychem product specifications		
Max. pipe temperature	Refer to heating cable specification	
Max. operating voltage	254 V	254 V
Ambient temperature range	-50°C to +40°C	-50°C to +40°C
Min. installation temperature	-50°C	-50°C
Overall height	171 mm approx.	197 mm approx.
Outer diameter	46 mm approx. Usable with up to 100 mm thermal insulation	66 mm approx.
Ingress protection	IP65	IP65
Impact resistance	EN 50 014, ≥ 7 joules	EN 50 014, ≥ 7 joules
UV stability	No degradation after > 1000 h	No degradation after > 1000 h
Solvent resistance	Excellent	Excellent
Strain relief	> 250 N	> 250 N

Light source

Type	Green LEDs
Voltage rating range	208-230 Vac, 50/60 Hz
Power consumption	< 2 W
Electromagnetic immunity/emissions	Complies with EN 50 082-2:1995 EN 50 081-1:1991
Vibration resistance	Complies with IEC 60068-2-6, 10-150 Hz, 20 m/s ²
Shock resistance	Complies with IEC 60068-2-7, 50 g, 11 ms

Installation data

Tools required	Cable knife, wire cutters, screwdriver	Cable knife, wire cutters, screwdriver, crimp tool, long nose pliers
----------------	--	---

Ordering details**End seal**

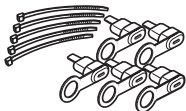
Part description	E-100-E	E-100-L2-E
PN (Weight)	101255-000 (220 g)	726985-000 (630 g)
	Requires one pipe strap (not supplied)	Requires one pipe strap (not supplied)

Accessories

Small pipe adaptor	JBS- SPA, required for pipes ≤ 1 " (DN 25), E 90515-000 (bag of 5 adaptors)
--------------------	--

Spare part

Boot pack for E-100-E



Part description	E-100-BOOT-5-PACK
PN (Weight)	281053-000 (140 g)
Pack size	5 sealant filled boots and 5 cable ties