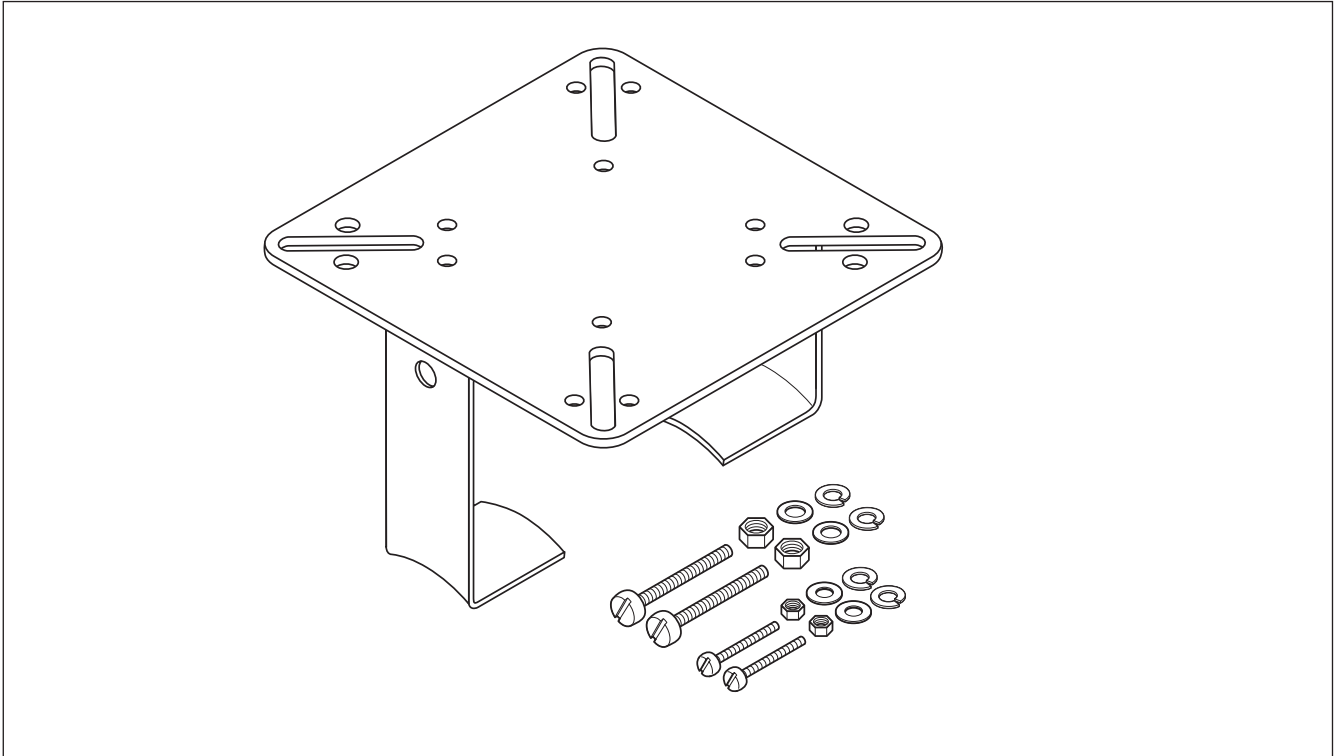


Support bracket



Kit contents

1 support bracket	
1 pack containing	2 M4 x 20 cheesehead screw 2 M4 nuts 2 M4 plain washers 2 M4 spring lock washers 2 M6 x 30 slotted cheesehead screws 2 M6 nuts 2 M6 plain washers 2 M6 spring lock washers

Support bracket

Material	2 mm sheet stainless steel
The support bracket is a two piece construction that is spotwelded together	

Surface treatment

Chemically passivated

Dimensions

Dimensions are shown on the drawing below with the tolerance of ± 0.5 mm.

Ordering details

Part Description	SB-111
PN	579796-000
Pack size	1 per pack
Requires two pipe straps (not supplied)	Refer to page 150 (Pipe straps)

