

Glass silk heating cord (for non hazardous area use)

SP is a preterminated, very flexible heating cord consisting of a glass silk insulated, flexible fabric weave with interior heating conductors.

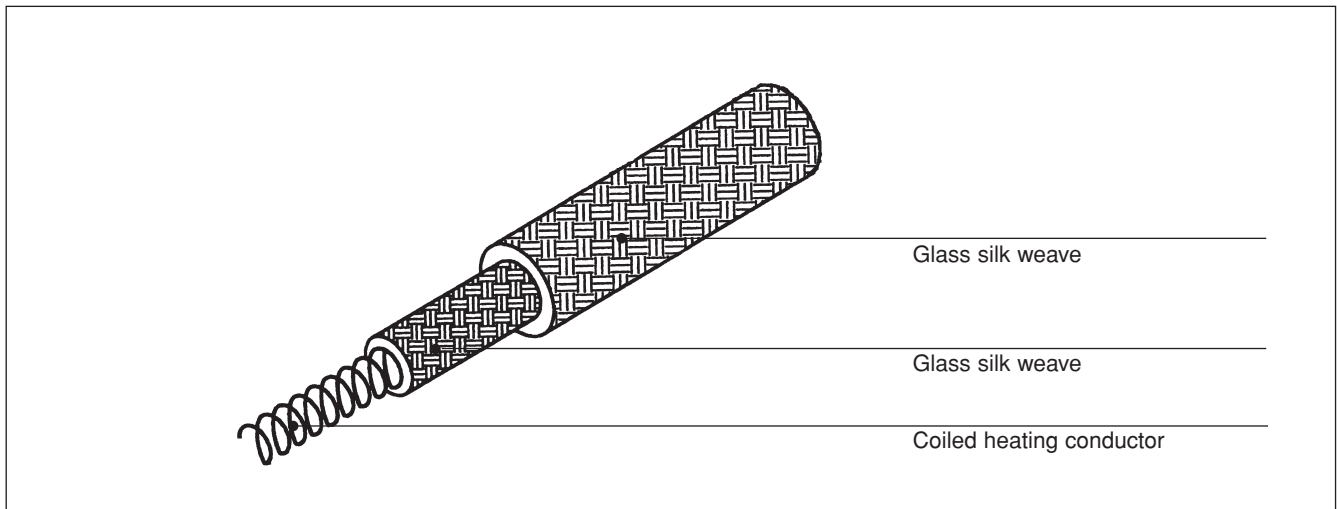
The temperature depends on the power

and way of use. Please make sure that the heating cord does not exceed the maximum withstand temperature.

Owing to its small dimensions, the heating tape is used for heating up and compen-

sating for heat loss on short pipes, glass apparatus or other structures, mainly for laboratory requirements.

The heating tape is not moisture-protected and must only be used in dry areas.



Size Ø 3.5 - 4.5 mm (Ø 0.14" - 0.18")

Specification

Nominal power output	150 W/m (46 W/ft)
Supply voltage	230 V AC
Loading tolerance	up to 100 Watt ± 10%, over 100 Watt + 5% / - 10%
Area classification	Dry locations, Non hazardous
System of protection	IP 20, no protection against ingress of water
Max. withstand temperature (power off)	450°C (842°F)
Max. surface temperature (power on)	Up to 450°C (842°F) (power and way of usage dependent)
Bending radius	≥ 5 mm (0.2")
Spacing	≥ 5 mm (0.2")

Construction

Heating element	Coiled, NiCr
Electrical insulation	Glass silk
Outer sheathing	Glass silk

Termination

Cold lead	2 x 1.5 m (2 x 5 ft)
Terminating tails	1.0 mm ² (AWG 17)

Standard lengths and loadings table

	Length m (ft)	Watts	Part No.
	0.5 (0.15)	50	175 192-000
	1.0 (0.3)	160	209 402-000
	1.5 (0.46)	220	490 504-000
Other lengths and power specifications etc. available upon request	2.0 (0.61)	330	030 246-000
	2.5 (0.76)	380	217 452-000
	3.0 (0.9)	490	920 078-000
	4.0 (1.2)	600	610 730-000
	5.0 (1.5)	710	927 312-000
	6.0 (1.8)	820	514 784-000

Ordering details

Part description	SP
Part No.	See table above

www.isopad.de
www.tycothermal.com

Isopad – a brand of Tyco Thermal Controls GmbH.

Important: All information, including illustrations, is believed to be reliable. Users, however, should independently evaluate the suitability of each product for their particular application. Tyco Thermal Controls makes no warranties as to the accuracy or completeness of the information, and disclaims any liability regarding its use. Tyco Thermal Controls' only obligations are those in the Tyco Thermal Controls Standard Terms and Conditions of Sale for this product, and in no case will Tyco Thermal Controls or its distributors be liable for any incidental, indirect or consequential damages arising from the sale, resale, use or misuse of the product. Specifications are subject to change without notice. In addition, Tyco Thermal Controls reserves the right to make changes, without notification to the Buyer, to processing or materials that do not affect compliance with any applicable specification.

tyco

Flow Control

Tyco Thermal Controls

We manage the heat you need

Tyco Thermal Controls GmbH
 Englerstr. 11
 D-69126 Heidelberg
 Phone +49(0)6221-3043-0
 Fax +49(0)6221-3043-956

Tyco Thermal Controls
 Staatsbaan 4A
 B-3210 Lubbeek
 Phone +32(0)1621-3511
 Fax +32(0)1621-3600

Tyco Thermal Controls Limited
 3 Rutherford Road,
 Stephenson Industrial Estate,
 GB-Washington,
 Tyne and Wear NE37 3HX
 Phone +44(0)191 419 8200
 Fax +44(0)191 419 8201

Worldwide Headquarters Tyco Thermal Controls
 300 Constitution Drive,
 Menlo Park,
 CA 94025-1164, USA
 Phone (800) 545-6258
 Fax (800) 545-5004