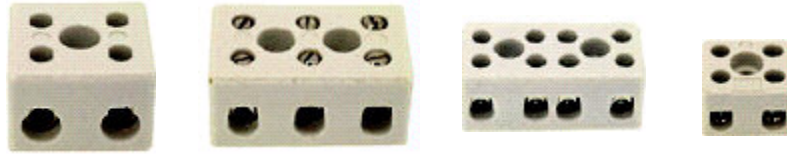


Ceramic Connectors With Fixing Hole

Ceramic connectors blocks are design for use in high temperature applications and direct connection to very high temperature components. (eg. Heating elements is possible.) However, in line with the oxidation point of the brass inset, the ambient temperature should be limited to 350°C

- Chemical resistance
- Non-flammability
- Heat resistance
- Non-corrosive

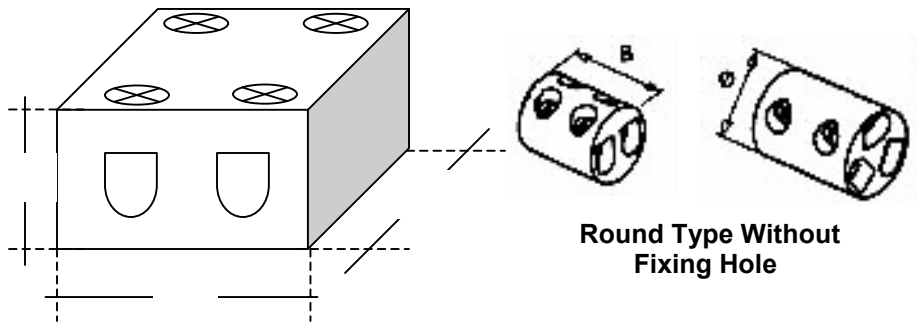
With Fixing Hole



Continuous use temperature:

Housing: 600°C

Insert: 350°C



Round Type Without Fixing Hole

Model	Rating 450V	Poles	Dimension L X B X H (mm)	Standard Packing
2-402Z-2	10 Amps	2	20 x 18 x 15	100 pcs.
2-403Z-3	10 Amps	3	33 x 18 x 15	100 pcs.
2-424-4	10 Amps	4	48 x 23 x 16	50 pcs.
2-1602-2	16 Amps	2	24 x 22 x 20	100 pcs.
2-1603-3	16 Amps	3	39 x 23 x 20	50 pcs.
2-2021-2	32 Amps	2	34 x 30 x 23	50 pcs.
2-2031-3	32 Amps	3	52 x 30 x 23	50 pcs.

Ceramic Connectors Without Fixing Hole (Round)

Model	Rating 450V	Poles	Dimension L X B X H (mm)	Standard Packing
1-302-2	20 Amps	2	15mmØ x 18	100 pcs.
1-303-3	20 Amps	3	16mmØ x 23	100 pcs.

Country Of Origin : Made In Germany