

# REACH ELECTRICAL (S) PTE LTD

51 Ubi Ave 1, #03-05, Paya Ubi Industrial Park, Singapore 408933

Tel: (65) 6296 6860 Fax: (65) 6298 1443

Email: [reach@singnet.com.sg](mailto:reach@singnet.com.sg)

Website: <http://www.reachelectrical.com>

Company's Reg. No. : 199004352W G.S.T Reg. No. : M2-0095215-4



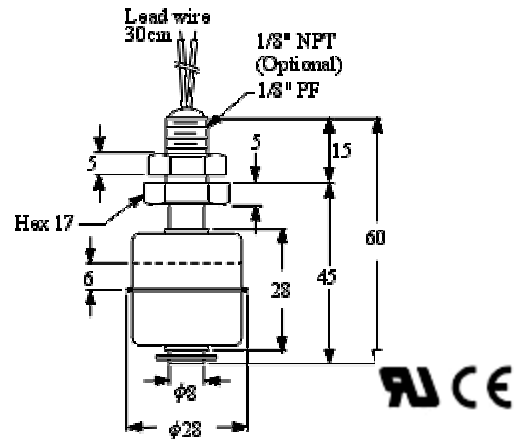
Cert. No.: SG02/00221

## Mini Metal Single Float level Switch Types

When the magnetic field of permanent magnet inside the float is moved into to the proximity of the reed switch inside the stationary stem, the reed switch "snaps" the contact together and closes the electrical circuit. When the magnetic field is moved away from the reed switch, the reed switch does not touch. The circuit is open.

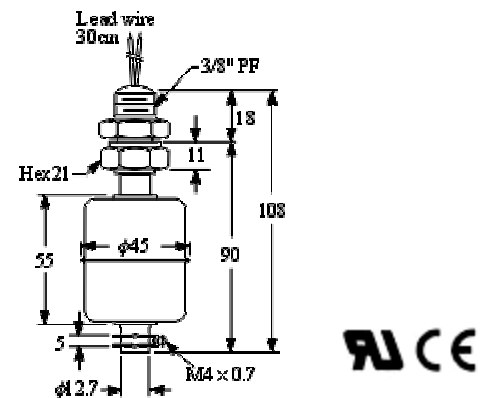
### Model No. RF -3001D

- |                              |                        |
|------------------------------|------------------------|
| 1. Switching capacity Max.   | : 50W/SPST             |
| 2. Switching voltage Max.    | : 240Vac/200Vdc        |
| 3. Switching current Max.    | : 0.5A                 |
| 4. Carry current Max.        | : 1A                   |
| 5. Lead Wire.                | : XLPE (UL 3266 AWG22) |
| 6. Reversible Switch Action. | : YES                  |
| 7. Max. Pressure.            | : 10kg/cm <sup>2</sup> |
| 8. Operation Temperature.    | : -10~120°C            |
| 9. Material.                 | : SUS 304              |
| 10. Suitable S.G.            | : 0.7                  |
| 11. Weight.                  | : 35 g                 |
| 12. Drill hole size.         | : 10mmØ                |



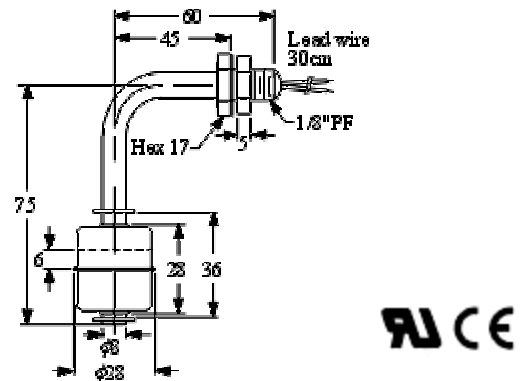
### Model No. RF-4501D

- |                              |                        |
|------------------------------|------------------------|
| 1. Switching Capacity Max.   | : 50W/SPST             |
| 2. Switching Voltage Max.    | : 240Vac/200Vdc        |
| 3. Switching Current Max.    | : 0.5A (3A option)     |
| 4. Carry Current Max.        | : 1A (4A option)       |
| 5. Lead Wire.                | : XLPE (UL 3266 AWG22) |
| 6. Reversible Switch Action. | : YES                  |
| 7. Max. Pressure.            | : 12kg/cm <sup>2</sup> |
| 8. Operation temperature.    | : -10~120°C            |
| 9. Material.                 | : SUS 304              |
| 10. Suitable S.G.            | : 0.65                 |
| 11. Weight.                  | : 150 g                |
| 12. Drill hole.              | : 17mmØ                |



### Model No. RF-3002D

- |                              |                         |
|------------------------------|-------------------------|
| 1. Switching Capacity Max.   | : 50W/SPST              |
| 2. Switching Voltage Max.    | : 240Vac/200Vdc         |
| 3. Switching Current Max.    | : 0.5A                  |
| 4. Carry Current Max.        | : 1A                    |
| 5. Lead Wire.                | : XLPE (UL 3266 AWG22)  |
| 6. Reversible Switch Action. | : YES                   |
| 7. Max. Pressure.            | : 10 kg/cm <sup>2</sup> |
| 8. Operation Temperature.    | : -10~120°C             |
| 9. Material.                 | : SUS304                |
| 10. Suitable S.G.            | : 0.7                   |
| 11. Weight.                  | : 43g                   |
| 12. Drill hole.              | : 10mmØ                 |



# REACH ELECTRICAL (S) PTE LTD

51 Ubi Ave 1, #03-05, Paya Ubi Industrial Park, Singapore 408933

Tel: (65) 6296 6860 Fax: (65) 6298 1443

Email: [reach@singnet.com.sg](mailto:reach@singnet.com.sg)

Website: <http://www.reachelectrical.com>

Company's Reg. No. : 199004352W G.S.T Reg. No. M2-0095215-4



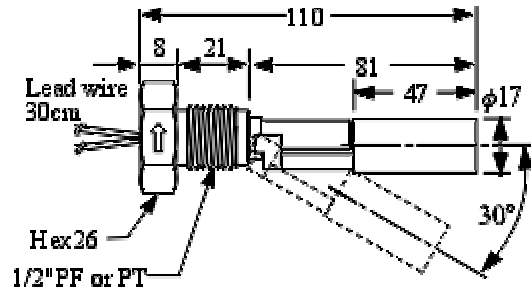
Cert. No.: SG02/00221

## Mini Metal Single Side Mounting Float level Switch Types

The side mounting float level switches (LF series) are manufactured specifically for horizontal mounting in a tank and or vessel. They work well as high or low level control into to the proximity of the reed switch inside the stationary stem, the reed switch "snaps" the contact together and closes the electrical circuit. When the magnetic field is moved away from the reed switch, the reed switch does not touch. The circuit is open.

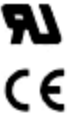
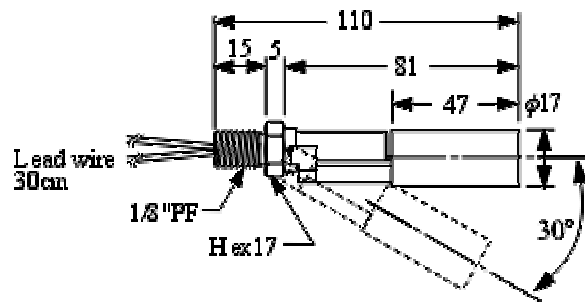
### Model No. RF-MH16

1. Switching Capacity Max. : 50W/SPST
2. Switching Voltage Max. : 240Vac/200Vdc
3. Switching Current Max. : 0.5A
4. Carry Current Max. : 1A
5. Lead Wire. : XLPE (UL 3266 AWG22)
6. Max. Pressure. : 5 kg/cm<sup>2</sup>
7. Operation Temperature. : -10~120°C
8. Material. : SUS304
9. Suitable S.G. : 0.92



### Model No. RF-MH16R

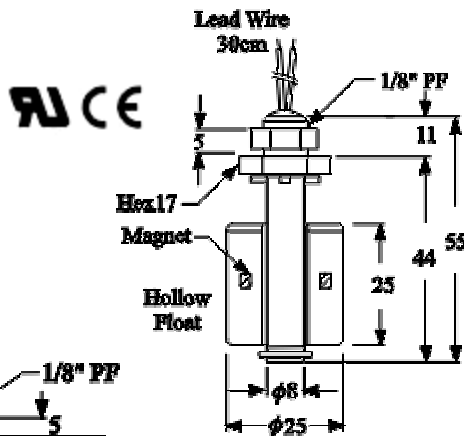
1. Switching Capacity Max. : 50W/SPST
2. Switching Voltage Max. : 240Vac/200Vdc
3. Switching Current Max. : 0.5A
4. Carry Current Max. : 1A
5. Lead Wire. : XLPE (UL 3266 AWG22)
6. Max. Pressure. : 5 kg/cm<sup>2</sup>
7. Operation Temperature. : -10~120°C
8. Material. : SUS304
9. Suitable S.G. : 0.92



## Mini PP / PVDF / NYLON / POLSULFONE Single Float level Switch Types

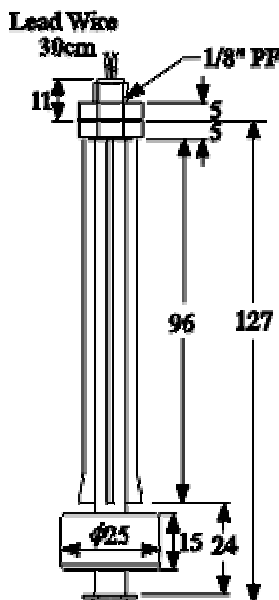
### Model No. RF-OV33

1. Switching capacity Max. : 50W/SPST
2. Switching voltage Max. : 240Vac/200Vdc
3. Switching current Max. : 0.5A
4. Carry current Max. : 1A
5. Lead wire. : PVC (UL1007 AWG22)
6. Reversible switch action. : YES
7. Max. Pressure. : 4 kg/cm<sup>2</sup>
8. Operation temp. : -20~80°C
9. Material. : FCV33FD---PVDF
10. Suitable S.G. : 0.55
11. Weight. : 15 g
12. Drill hole. : Ø10 mm



### Model No. RF-OV16F

1. Switching capacity Max. : 10W/SPST
2. Switching voltage Max. : 125Vac
3. Switching current Max. : 0.5A
4. Carry current Max. : 1A
5. Lead wire. : PVC (UL1007 AWG22)
6. Reversible switch action. : NO
7. Max. Pressure. : 4kg/cm<sup>2</sup>
8. Operation temp. : -20~80°C
9. Float Material. : P.P.(Hollow)
10. Suitable S.G. : 0.6511. Weight: 18 g
12. Drill hole. : Ø10 mm



# REACH ELECTRICAL (S) PTE LTD

51 Ubi Ave 1, #03-05, Paya Ubi Industrial Park, Singapore 408933

Tel: (65) 6296 6860 Fax: (65) 6298 1443

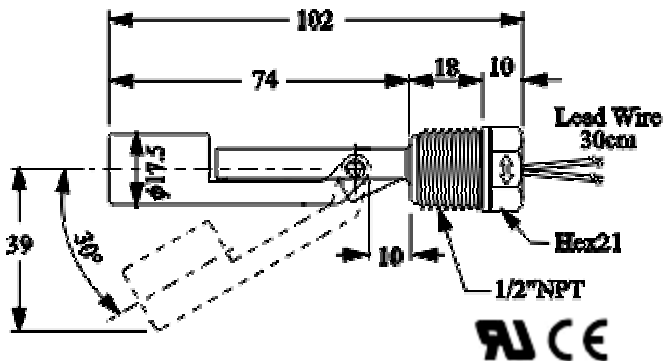
Email: [reach@singnet.com.sg](mailto:reach@singnet.com.sg)

Website: <http://www.reachelectrical.com>

Company's Reg. No. : 199004352W G.S.T Reg. No. M2-0095215-4

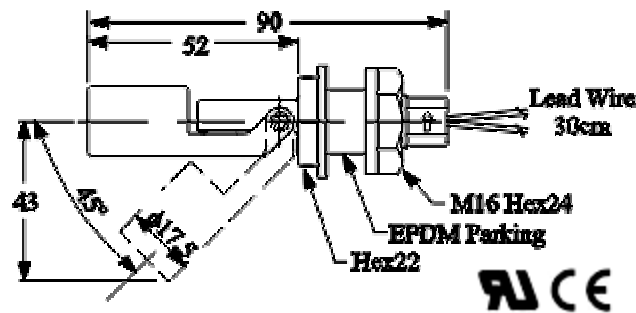


Cert. No.: SG02/00221



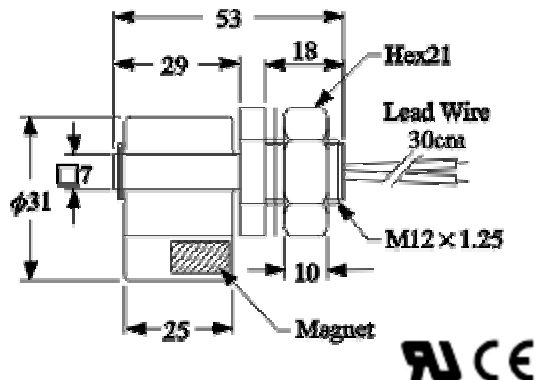
## Model No. RF-OH41D

- |                            |                       |
|----------------------------|-----------------------|
| 1. Switching capacity Max. | : 50W/SPST            |
| 2. Switching voltage Max.  | : 240Vac/200Vdc       |
| 3. Switching current Max.  | : 0.5A                |
| 4. Carry current Max.      | : 1A                  |
| 5. Lead wire.              | : XLPE (UL3266 AWG22) |
| 6. Max. Pressure.          | : 4kg/cm <sup>2</sup> |
| 7. Operation temp.         | : -20~80°C            |
| 8. Material.               | : FCH41PD---PP (std.) |
| 9. Suitable S.G.           | : 0.55                |
| 10. Weight.                | : 20g                 |



## Model No. RF-OH21D

- |                            |                       |
|----------------------------|-----------------------|
| 1. Switching capacity Max. | : 50W/SPST            |
| 2. Switching voltage Max.  | : 240Vac/200Vdc       |
| 3. Switching current Max.  | : 0.5A                |
| 4. Carry current Max.      | : 1A                  |
| 5. Lead wire.              | : XLPE (UL3266 AWG22) |
| 6. Max. Pressure.          | : 4kg/cm <sup>2</sup> |
| 7. Operation temp.         | : -20~60°C            |
| 8. Material.               | : FCH21PD---PP        |
| 9. Suitable S.G.           | : 0.65                |
| 10. Weight.                | : 21.6g               |
| 11. Drill hole.            | : Ø16 mm              |



## Model No. RF-OH11D

- |                            |                      |
|----------------------------|----------------------|
| 1. Switching capacity Max. | : 50W/SPST           |
| 2. Switching voltage Max.  | : 240Vac/200Vdc      |
| 3. Switching current Max.  | : 0.5A               |
| 4. Carry current Max.      | : 1A                 |
| 5. Lead wire.              | : PVC (UL1007 AWG22) |
| 6. Max. Pressure.          | : ATM                |
| 7. Operation temp.         | : -20~60°C           |
| 8. Material.               | : P.P.               |
| 9. Suitable S.G.           | : 0.6                |
| 10. Weight.                | : 25 g               |
| 11. Drill hole.            | : Ø12.5 mm           |

## Features

- Compact simple design and principle, high reliability, low price.
- PP, PVDF, NYLON, POLYSULFONE materials are suitable for corrosive environment.
- SUS304/316, Max. operating temperature 200°C; Max. Operating pressure 60kg/cm<sup>2</sup>.
- Side Mounting, Top-Mounting, Bottom-Mounting.
- Mounting screw type have M8 ~ M16, 1/8"~1/2"PF / PT / BSP and etc.
- The materials of lead wire and cable are PVC, XLPE and PTFE.
- Mini Float Level Switch has obtained **UL E161587** approved.
- Since technologies of the product have more and more advance, the products need comply with a requirement for more safe, convenient and low cost. The float switches are extremely compact, simple and are easy to install on any small space.
- These switches are not affected by electrical interference. They can withstand to chemicals, high temperatures and pressures if the correct material of float switch is selected by the customers